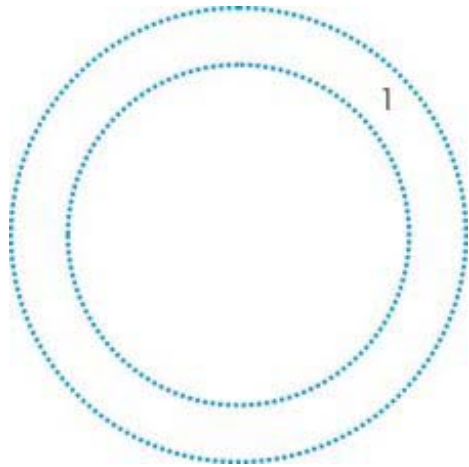
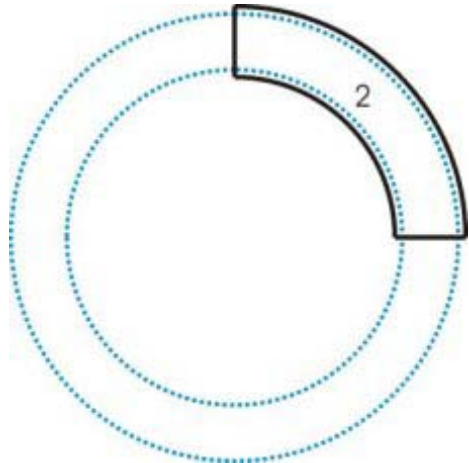


Die Toleranzen nach DIN 1629, DIN 1630 und DIN 17121

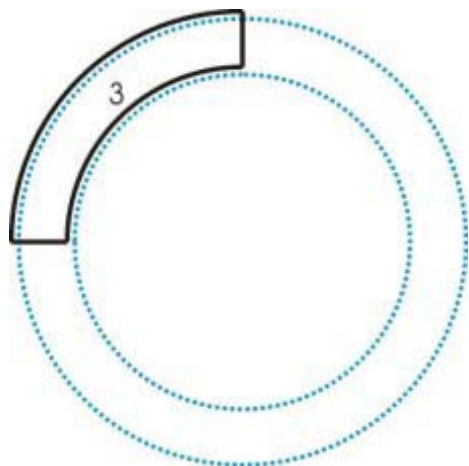
Nahtlose Stahlrohre in Anlehnung an DIN 2448



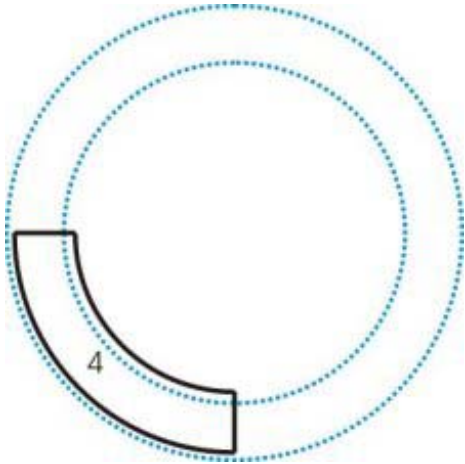
Nennmaßbereich – Maße nach der Abmessungsnorm



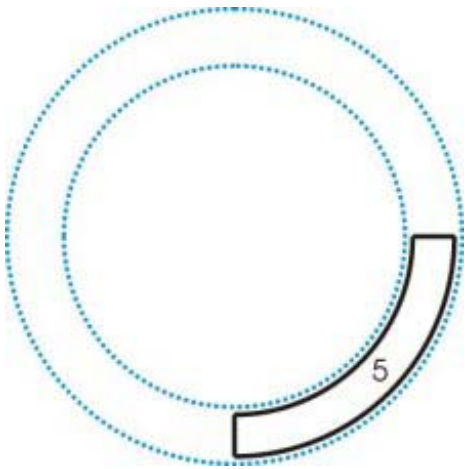
Außendurchmesser und Wanddicke im Plusbereich



Außendurchmesser im Plus-, Wanddicke im Minusbereich



Außendurchmesser im
Minus-, Wanddicke im
Plusbereich



Außendurchmesser und
Wanddicke im
Minusbereich

Die Toleranzen nach DIN 1629, DIN 1630 und DIN 17121 Nahtlose Stahlrohre in Anlehnung an DIN 2448

da*)	mm	s/mm	Längenbezogene Massen (Gewicht) in kg/m für Wanddicken in mm															
			1,6	1,8	2,0	2,3	2,6	2,9	3,2	3,6	4,0	4,5	5,0	5,6	6,3	7,1	8,0	
10,2	1,6		0,339	0,373	0,404	0,448	0,487											
13,5	1,8			0,519	0,567	0,635	0,699	0,758	0,813	0,879								
16,0	1,8			0,630	0,691	0,777	0,859	0,937	1,010	1,100	1,180							
17,2	1,8			0,684	0,750	0,845	0,936	1,020	1,100	1,210	1,300	1,410						
19,0	2,0				0,838	0,947	1,050	1,150	1,250	1,370	1,480	1,610	1,730					
20,0	2,0				0,888	1,000	1,120	1,220	1,330	1,460	1,580	1,720	1,850					
21,3	2,0				0,952	1,080	1,200	1,320	1,430	1,570	1,710	1,860	2,010	2,170				
25,0	2,0				1,130	1,290	1,440	1,580	1,720	1,900	2,070	2,280	2,470	2,680	2,910			
25,4	2,0				1,150	1,310	1,480	1,610	1,750	1,940	2,110	2,320	2,520	2,730	2,970			
26,9	2,3				1,230	1,400	1,560	1,720	1,870	2,070	2,260	2,490	2,700	2,940	3,200	3,470		
30,0	2,6					1,570	1,760	1,940	2,110	2,340	2,560	2,830	3,080	3,370	3,680	4,010	4,340	
31,8	2,6					1,670	1,870	2,070	2,260	2,500	2,740	3,030	3,300	3,620	3,960	4,320	4,700	
33,7	2,6					1,780	1,990	2,200	2,410	2,670	2,930	3,240	3,540	3,880	4,260	4,660	5,070	
38,0	2,6						2,270	2,510	2,750	3,050	3,350	3,720	4,070	4,470	4,930	5,410	5,920	
42,4	2,6						2,550	2,820	3,090	3,440	3,790	4,210	4,610	5,080	5,610	6,180	6,790	
44,5	2,6						2,690	2,980	3,260	3,630	4,000	4,440	4,870	5,370	5,940	6,550	7,200	
48,3	2,6						2,930	3,250	3,560	3,970	4,370	4,860	5,340	5,900	6,530	7,210	7,950	
51,0	2,6						3,100	3,440	3,770	4,210	4,640	5,160	5,670	6,270	6,940	7,690	8,480	
54,0	2,6						3,300	3,650	4,010	4,470	4,930	5,490	6,040	6,680	7,410	8,210	9,080	
57,0	2,9							3,870	4,250	4,740	5,230	5,830	6,410	7,100	7,880	8,740	9,670	
60,3	2,9							4,110	4,510	5,030	5,550	6,190	6,820	7,550	8,390	9,320	10,300	
63,5	2,9							4,330	4,760	5,320	5,870	6,550	7,210	8,000	8,890	9,880	10,900	
70,0	2,9							4,800	5,270	5,900	6,510	7,270	8,010	8,890	9,900	11,000	12,200	
73,0	2,9							5,010	5,510	6,160	6,810	7,600	8,380	9,310	10,400	11,500	12,800	
76,1	2,9							5,240	5,750	6,440	7,110	7,950	8,770	9,740	10,800	12,100	13,400	
82,5	3,2								6,260	7,000	7,740	8,660	9,560	10,600	11,800	13,200	14,700	
88,9	3,2								6,760	7,570	8,380	9,370	10,300	11,500	12,800	14,300	16,000	
101,6	3,6									8,700	9,630	10,800	11,900	13,300	14,800	16,500	18,500	
108,0	3,6									9,270	10,300	11,500	12,700	14,100	15,800	17,700	19,700	
114,3	3,6									9,830	10,900	12,200	13,500	15,000	16,800	18,800	21,000	
127,0	4,0										12,100	13,600	15,000	16,800	18,800	21,000	23,500	
133,0	4,0										12,700	14,300	15,800	17,600	19,700	22,000	24,700	
139,7	4,0										13,400	15,000	16,600	18,500	20,700	23,200	26,000	
152,4	4,5											16,400	18,200	20,300	22,700	25,400	28,500	
159,0	4,5											17,100	19,000	21,200	23,700	26,600	29,800	
168,3	4,5											18,200	20,100	22,500	25,200	28,200	31,600	
177,8	5,0												21,300	23,800	26,600	29,900	33,500	
193,7	5,6													26,000	29,100	32,700	36,600	
219,1	6,3														33,100	37,100	41,600	
244,5	6,3															37,000	41,600	46,700
273,0	6,3															41,400	46,600	52,300
323,9	7,1																55,500	62,300
355,6	8,0																	68,600
406,4	8,8																	
457,0	10,0																	
508,0	11,0																	
559,0	12,5																	
610,0	12,5																	
660,0	14,2																	










Die Toleranzen nach DIN 1629, DIN 1630 und DIN 17121

Nahtlose Stahlrohre in Anlehnung an DIN 2448

da*)	mm	s/mm	Längenbezogene Massen (Gewicht) in kg/m für Wanddicken in mm														
			8,8	10,0	11,0	12,5	14,2	16,0	17,5	20,0	22,2	25,0	28,0	30,0	32,0	36,0	40,0
10,2	1,6																
13,5	1,8																
16,0	1,8																
17,2	1,8																
19,0	2,0																
20,0	2,0																
21,3	2,0																
25,0	2,0																
25,4	2,0																
26,9	2,3																
30,0	2,6	4,600															
31,8	2,6	4,990															
33,7	2,6	5,400	5,840														
38,0	2,6	6,340	6,910	7,320													
42,4	2,6	7,290	7,990	8,520													
44,5	2,6	7,750	8,510	9,090	9,860												
48,3	2,6	8,570	9,450	10,100	11,000												
51,0	2,6	9,160	10,100	10,900	11,900	12,900											
54,0	2,6	9,810	10,900	11,700	12,800	13,900											
57,0	2,9	10,500	11,600	12,500	13,700	15,000	16,200										
60,3	2,9	11,200	12,400	13,400	14,700	16,100	17,500	18,500									
63,5	2,9	11,900	13,200	14,200	15,700	17,300	18,700	19,900									
70,0	2,9	13,300	14,800	16,000	17,700	19,500	21,300	22,700	24,700								
73,0	2,9	13,900	15,500	16,800	18,700	20,600	22,500	24,000	26,100								
76,1	2,9	14,600	16,300	17,700	19,600	21,700	23,700	25,300	27,700								
82,5	3,2	16,000	17,900	19,400	21,600	23,900	26,200	28,100	30,800	33,000							
88,9	3,2	17,400	19,500	21,100	23,600	26,200	28,800	30,800	34,000	36,500	39,400						
101,6	3,6	20,100	22,600	24,600	27,500	30,600	33,800	36,300	40,200	43,500	47,200	50,800	53,000	54,900			
108,0	3,6	21,500	24,200	26,300	29,400	32,800	36,300	39,100	43,400	47,000	51,200	55,200	57,700	60,000	63,900		
114,3	3,6	22,900	25,700	28,000	31,400	35,100	38,800	41,800	46,500	50,400	55,100	59,600	62,400	64,900	69,500	73,300	
127,0	4,0	25,700	28,900	31,500	35,300	39,500	43,800	47,300	52,800	57,400	62,900	68,400	71,800	75,000	80,800	85,800	
133,0	4,0	27,000	30,300	33,100	37,100	41,600	46,200	49,800	55,700	60,700	66,600	72,500	76,200	79,700	86,100	91,700	
139,7	4,0	28,400	32,000	34,900	39,200	43,900	48,800	52,700	59,000	64,300	70,700	77,100	81,200	85,000	92,100	98,400	
152,4	4,5	31,200	35,100	38,400	43,100	48,400	53,800	58,200	65,300	71,300	78,500	85,900	90,600	95,000	103,000	111,000	
159,0	4,5	32,600	36,700	40,100	45,200	50,700	56,400	61,100	68,600	74,900	82,600	90,500	95,400	100,000	109,000	117,000	
168,3	4,5	34,600	39,000	42,700	48,000	54,000	60,100	65,100	73,100	80,000	88,300	96,900	102,000	108,000	117,000	127,000	
177,8	5,0	36,700	41,400	45,200	51,000	57,300	63,800	69,200	77,800	85,200	94,200	103,000	109,000	115,000	126,000	136,000	
193,7	5,6	40,100	45,300	49,600	55,900	62,900	70,100	76,000	85,700	93,900	104,000	114,000	121,000	128,000	140,000	152,000	
219,1	6,3	45,600	51,600	56,500	63,700	71,800	80,100	87,000	98,200	108,000	120,000	132,000	140,000	148,000	163,000	177,000	
244,5	6,3	51,200	57,800	63,300	71,500	80,600	90,200	98,000	111,000	122,000	135,000	149,000	159,000	168,000	185,000	202,000	
273,0	6,3	57,300	64,900	71,100	80,300	90,600	101,000	110,000	125,000	137,000	153,000	169,000	180,000	190,000	210,000	230,000	
323,9	7,1	68,400	77,400	84,900	96,000	108,000	121,000	132,000	150,000	165,000	184,000	204,000	217,000	230,000	256,000	280,000	
355,6	8,0	75,300	85,200	93,500	106,000	120,000	134,000	146,000	166,000	183,000	204,000	226,000	241,000	255,000	284,000	311,000	
406,4	8,8	86,300	97,800	107,000	121,000	137,000	154,000	168,000	191,000	210,000	235,000	261,000	279,000	295,000	329,000	361,000	
457,0	10,0		110,000	121,000	137,000	155,000	174,000	190,000	216,000	238,000	266,000	296,000	316,000	335,000	374,000	411,000	
508,0	11,0			135,000	153,000	173,000	194,000	212,000	241,000	266,000	298,000	331,000	354,000	376,000	419,000	462,000	
559,0	12,5				168,000	191,000	214,000	234,000	266,000	294,000	329,000	367,000	391,000	416,000	464,000	512,000	
610,0	12,5				184,000	209,000	234,000	256,000	291,000	322,000	361,000	402,000	429,000	456,000	510,000	562,000	
660,0	14,2					226,000	254,000	277,000	316,000	349,000	392,000	436,000	466,000	496,000	554,000	612,000	

Die Toleranzen nach DIN 1629, DIN 1630 und DIN 17121 Nahtlose Stahlrohre in Anlehnung an DIN 2448

da*)		Längenbezogene Massen (Gewicht) in kg/m für Wanddicken in mm													
mm	s/mm	45,0	50,0	55,0	60,0	65,0	70,0	75,0	80,0	85,0	90,0	100,0			
10,2	1,6														
13,5	1,8														
16,0	1,8														
17,2	1,8														
19,0	2,0														
20,0	2,0														
21,3	2,0														
25,0	2,0														
25,4	2,0														
26,9	2,3														
30,0	2,6														
31,8	2,6														
33,7	2,6														
38,0	2,6														
42,4	2,6														
44,5	2,6														
48,3	2,6														
51,0	2,6														
54,0	2,6														
57,0	2,9														
60,3	2,9														
63,5	2,9														
70,0	2,9														
73,0	2,9														
76,1	2,9														
82,5	3,2														
88,9	3,2														
101,6	3,6														
108,0	3,6														
114,3	3,6														
127,0	4,0														
133,0	4,0														
139,7	4,0	105,000													
152,4	4,5	119,000	126,000												
159,0	4,5	127,000	134,000												
168,3	4,5	137,000	146,000	154,000											
177,8	5,0	147,000	158,000	167,000											
193,7	5,6	165,000	177,000	188,000											
219,1	6,3	193,000	209,000	223,000	235,000	247,000	257,000								
244,5	6,3	221,000	240,000	257,000	273,000	288,000	301,000	314,000	325,000						
273,0	6,3	253,000	275,000	296,000	315,000	333,000	350,000	366,000	381,000	394,000					
323,9	7,1	310,000	338,000	365,000	390,000	415,000	438,000	460,000	481,000	501,000	519,000	552,000			
355,6	8,0	345,000	377,000	408,000	437,000	466,000	493,000	519,000	544,000	567,000	590,000	630,000			
406,4	8,8	401,000	439,000	477,000	513,000	547,000	581,000	613,000	644,000	674,000	702,000	756,000			
457,0	10,0	457,000	502,000	545,000	587,000	628,000	668,000	707,000	744,000	780,000	815,000	880,000			
508,0	11,0	514,000	565,000	614,000	663,000	710,000	756,000	801,000	844,000	887,000	928,000	1006,000			
559,0	12,5	570,000	628,000	684,000	738,000	792,000	844,000	895,000	945,000	994,000	1041,000	1132,000			
610,0	12,5	627,000	691,000	753,000	814,000	874,000	932,000	990,000	1046,000	1101,000	1154,000	1258,000			
660,0	14,2	683,000	752,000	821,000	888,000	954,000	1019,000	1082,000	1144,000	1205,000	1265,000	1381,000			

	+	15,0%
	-	10,0%
	+	12,5%
	-	10,0%
	+	9,0%
	-	9,0%
	+	17,5%
	-	12,5%
	+	12,5%
	-	12,5%
	+	10,0%
	-	10,0%
	+	20,0%
	-	15,0%
	+	15,0%
	-	12,5%
	+	12,5%
	-	10,0%